

Removing a Fan Tray from an EX3200 or EX4200 Switch

EX3200 and EX4200 switches have a single field-replaceable unit (FRU) fan tray on the rear panel. The fan tray is a hot-removable and hot-insertable FRU: You can remove and replace it without powering off the switch or disrupting switch functions.

Before you begin removing a fan tray from an EX3200 or EX4200 switch, ensure that you have taken the necessary precautions to prevent ESD damage (see Prevention of Electrostatic Discharge Damage on EX Series Switches).

Ensure that you have the following parts and tools available to remove a fan tray from an EX3200 or EX4200 switch chassis:

- Electrostatic discharge (ESD) grounding strap
- Phillips (+) screwdriver, number 2
- An antistatic bag or an antistatic mat

To remove a fan tray from an EX3200 or EX4200 switch (see Figure 1 and Figure 2):

1. Place the antistatic bag or the antistatic mat on a flat, stable surface.
2. Attach the electrostatic discharge (ESD) grounding strap to your bare wrist, and connect the strap to the ESD point on the chassis.
3. Loosen the screw or screws securing the fan tray by using the Phillips (+) screwdriver, number 2.



WARNING: To avoid injury, do not touch the fan with your hands or any tools as you slide the fan tray out of the chassis—the fan may still be running.

4. Grasp the handle on the fan tray and pull firmly to slide the fan tray halfway out of the chassis.
5. When the fan stops spinning, slide the fan tray completely out of the chassis.
6. Place the fan tray in the antistatic bag or on the antistatic mat placed on a flat, stable surface.

Figure 1: Removing a Fan Tray from an EX3200 Switch

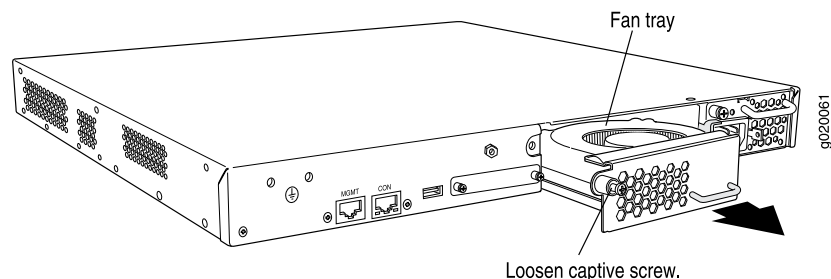
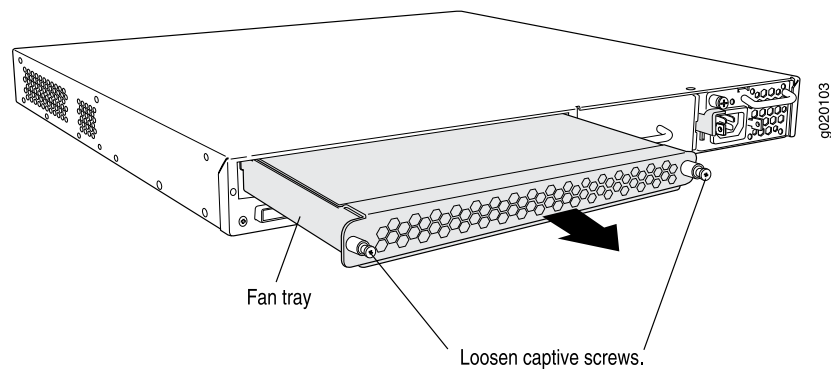


Figure 2: Removing a Fan Tray from an EX4200 Switch



NOTE: When a fan tray is removed, **Fan/Blower is Absent** is logged in the system log and the system raises a minor alarm.

- Related Topics**
- Installing a Fan Tray in an EX3200 or EX4200 Switch
 - Installing and Removing EX3200 and EX4200 Switch Hardware Components
 - Cooling System and Airflow in an EX3200 Switch
 - Cooling System and Airflow in an EX4200 Switch
 - Field-Replaceable Units in EX3200 and EX4200 Switches
 - Rear Panel of an EX3200 Switch
 - Rear Panel of an EX4200 Switch

Published: 2009-10-08